

CARYSIL

GERMAN ENGINEERED

The Heart of every home is its kitchen and
the heart of every kitchen is **CARYSIL**

CARYSIL

GERMAN ENGINEERED



In 1987, the Late Shree Ashwin M. Parekh founded the Carysil Group, then known as Acrysil Group, with a vision to revolutionize kitchen solutions. Through collaboration with Schock & Co., the company introduced their first German-engineered sink, **launching the Carysil brand.** In just a few years, Carysil stood out as a global pioneer, crafting quartz kitchen sinks that harmonized aesthetics, innovation, and technology, meeting international standards.

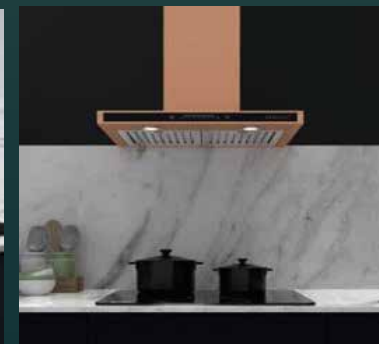
Since 1993, Chairman & Managing Director Mr. Chirag A. Parekh propelled Carysil to a premier global kitchen brand and a renowned leader in quartz kitchen sinks. The brand grew over three decades, becoming a household name in India and globally.

In 2022, to further cement the company's position as a global player and align the company image with its most recognized brand, the company decided to undergo a re-branding and became CARYSIL LTD, reinforcing its subsidiaries' identities too.

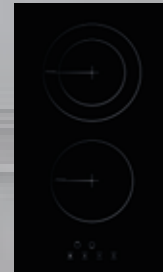
Over the years, Carysil diversified beyond sinks, evolving into a global lifestyle brand. Its portfolio now spans stainless steel sinks, faucets, built-in appliances, and more.

The brand is driven by values of innovation, sustainability and technology. Carysil's sustainable mission materialized in the world's first Green Sink, crafted from 100% bio-based filler, incorporating natural pigments. The Super X Granite Sink, another breakthrough, boosted sink strength by 70%, demonstrating Carysil's drive for innovation. The brand's pursuit of kitchen innovation earned CMD Chirag Parekh the ET Inspiring Indian Award.

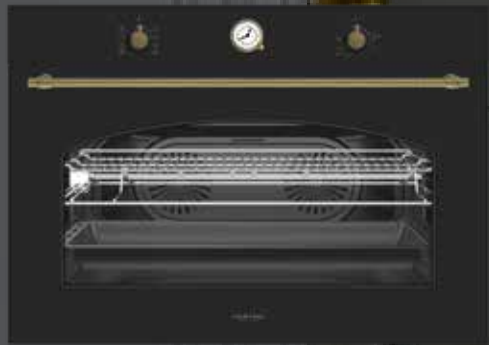
The Carysil brand has garnered worldwide trust, particularly in India with a vast network of 3000+ dealers. Acquisitions like Homestyle Products, Sylmar Technology Ltd and The Tap Factory Ltd in the UK have expanded the brand's reach and portfolio, fortifying its market presence and technological prowess.



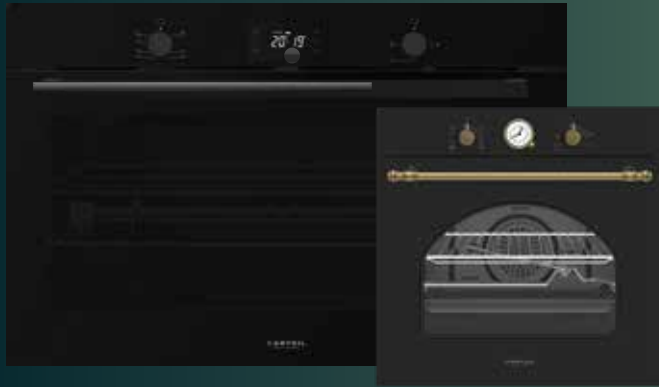
Refined Beauty, Black Collection



Timeless Beauty, Classic Collection



OVENS



LINEAR Gas Oven 90cm

Code : LI OV GS 90 9F BG



Features

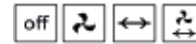
- Gas Oven
- 4 Function
- Touch Screen LED Timer
- Bottom Inox Stripe
- Turnspit
- Easily detachable side racks 4 levels
- 1 Deep Tray
- 1 Tray Rack
- WxDxH : 896x565x595mm

Options

- Pop-up Knobs
- Catalytic Panel
- Black and White Painted Panel
- 10 Function
- Telescopic Rail
- A Energy Efficiency Class

3800AED

XDP002660XX



Rustic Classic Oven 90cm

Code : RO OV EL 90 9F GF



Air Fryer Feature



Features

- ELECTRIC Oven
- ELECTRIC Grill + Fan
- 90 cm Black Rustic Panel
- Analogue Reminder
- Knob Automatic Ignition
- Triple Glazed, Full Glass without frame, Easy Remove
- Brushed Rustic Handle + Knobs
- Side Wire Rack
- 1 Deep Tray
- 1 Tray Rack
- WxDxH : 896x565x595mm

Options

- Electrical Grill
- Catalytic Side Wall
- Catalytic (Self Cleaning)
- A Energy Efficiency Class
- 8 Function



LINEAR Electric Oven 90cm

Code : LI OV EL 90 9F BG



Air Fryer Feature



Features

- Electric Oven
- 8 Function
- Touch Screen LED Timer
- Turnspit
- Easily detachable side racks 4 levels
- 1 Deep Tray
- 1 Tray Rack
- WxDxH : 896x565x595mm

Options

- Pop-up Knobs
- Catalytic Panel
- A Energy Efficiency Class
- Triple Glazed, Full Glass without frame, Easy Remove



Rustic Classic Oven 60cm

Code : RO OV EL 60 9F GF



Air Fryer Feature



Features

- ELECTRIC Oven
- ELECTRIC Grill + Fan
- 60 cm Black Rustic Panel
- Analogue Reminder
- Knob Automatic Ignition
- Triple Glazed, Full Glass without frame, Easy Remove
- Brushed Rustic Handle + Knobs
- Side Wire Rack
- 1 Deep Tray
- 1 Tray Rack
- WxDxH : 595x565x595mm

Options

- Electrical Grill
- Catalytic Side Wall
- Catalytic (Self Cleaning)
- A Energy Efficiency Class
- 8 Function



LINEAR Electric Oven 60cm

Code : LI OV EL 60 9F BG



Air Fryer Feature



Features

- Electric Oven
- 8 Function
- Digital Touch LED Timer
- 1 Std Tray
- 1 Tray Rack
- WxHxD : 595x595x545mm

Options

- E80 It Cavity Option
- Catalytic back / side wall
- Pop-up knobs (pop-up knob no static alternative)
- 8,10,9 function
- 1/2 Level Telescopic Rails
- Easily detachable side racks
- Gray enamel
- A Energy Efficiency Class
- Triple Glazed, Full Glass without frame, Easy Remove



MICROWAVE



LINEAR MICROWAVE

Code :LI MW 38 TC BG



Features

- Oven Volume (litres) **34L**
- Touch Control **Yes**
- ECO Mode **Yes**
- Grill + Microwave **Yes**
- Defrost Menu **Yes**
- Healthy Menu **Yes**
- Dropdown Handle **Yes**
- Black steel Design **Yes**
- Turntable Size: **φ345mm**
- Microwave Output Power **900W**
- Grill Power: 1100W **1100W**
- Product (W x H x D, mm): **596x382x456**

LINEAR COMBI OVEN MICROWAVE

Code : LI OM 45 KNBG



Features

- Oven Volume (litres) **44L**
- Thermo-insulative Door (GLASSES N°) **3**
- Door Hinges **Bottom-2Piece**
- Microwave Distribution **Turntable**
- Turntable Diameter (mm) **360mm**
- Under Counter Installation **Yes**
- Auto Menu **13**
- Defrost by Weight **Yes**
- Electronic Clock **Yes**
- Combine Cooking Type **4**
- Cooking Type **9**
- Cooking End Signal **Yes**
- Overheat Protection **Yes**
- Short-circuit Protection **Yes**
- Child Lock **Yes**
- Appliance (WxDxH, in mm, w/o Front projection,w/o handle) **595x568x454mm**
- CCC:220V,50Hz **Yes**
- Microwave + Fan Grill (W) **E/F:3350; C/B:3200**

LINEAR Warming Drawer 14cm

Code : BI WD 60 BG



Features

- Cavity Material **Stainless steel**
- Appearance Material **Stainless steel**
- Interior volume (litres) **22L**
- Operating indicator light **Background light**
- Interior light **N.A**
- Heating stopping when open **By Magnetic proximity switch**
- Extension **Full-extension(350mm)**
- Temperature control **Thermistor**
- ype of control setting and signalling devices **Touch Screen**
- Drawer heating plate **Stainless Steel 40-80°C**
- Adjustable temperature range Usable Cavity **(20L)**
- Dimensions(HxWxD) (mm) **88.5x526.5x420mm**
- SAA: 230V-240V,50Hz **N.A**

Rustic Classic Microwave

Code:RO MW 38 TC GF



Features

- Oven Volume (litres) **25L**
- Control type **Touch Control**
- Display **LED**
- Grill Power **1000W**
- Microwave Power **900W**
- Appliance (HxWxD,not incl Front projection, w/o handle) **388x595x400mm**
- Power supply **230V/50Hz**

LINEAR 25 MICROWAVE

Code :LI MW 25 TC BG



Features

- Volume (litres) **25L**
- Touch Control **Yes**
- ECO Mode **Yes**
- Function **Microwave & Grill Function**
- Auto Menus **8**
- Cooking End Signal **Yes**
- Child Safety Lock **Yes**
- Glass Turntable **315mm**
- Turntable Size: **φ345mm**
- Microwave Output Power **900W**
- Grill Input Power: 1100W **1000W**
- Product (W x H x D, mm): **594*388*382mm**

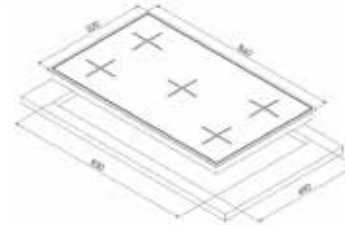
HOBS

LINEAR GAS ON GLASS HOB 90CM

Code : LI HO GG 90 5Z BK



CUTOUT



Features

- 90 cm Built In Glass Gas Hob (bottom cutting size is 83 cm) with Black Aliminum Frame
- Tempered Glass / Glass thickness 8 mm
- Sabaf burners & valves
- Wok burner: 1x 4,0 kW
- Rapid burner: 1x3,00 kW
- Semi rapid burner: 2x1,75 kW
- Auxiliary burner: 1x1kW
- Cast iron pan supports (P21) & Matte enameled burner caps (Burner cap thickness 4mm)
- LPG Gas adjusted (+ NG converting kit)
- FFD (Flame Failure Device)
- Front control with Matte Black knobs 107
- Under knob automatic ignition,
- English type cable, Voltage 220 - 240 V

Notes

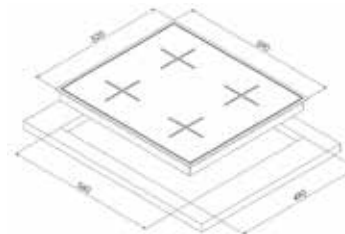
- Silk Screen version SER 4 & all printable items should be coordinated
- Logo place: Right side down
- Instruction Manual language: English/Arabic
- Origin: Made In Turkiye
- Stryfoam + Carton box packing

LINEAR GAS ON GLASS HOB 60CM

Code : LI HO GG 60 4Z BK



CUTOUT



Features

- with Black Aliminum Frame (cm 56 bottom cutting size is) cm Built In Glass Gas Hob 60
- mm 8 Tempered Glass / Glass thickness
- Sabaf burners & valves
- kW 1x3,00 ;Rapid burner
- kW 2x1,75 ;Semi rapid burner
- 1x1kW ;Auxiliary burner
- (4mm Burner cap thickness) Matte enameled burner caps & (P21) Cast iron pan supports
- LPG Gas adjusted (+ NG converting kit)
- FFD (Flame Failure Device)
- Front control with Matte Black knobs 107
- ,Under knob automatic ignition
- V 240 - 220 English type cable, Voltage

Notes

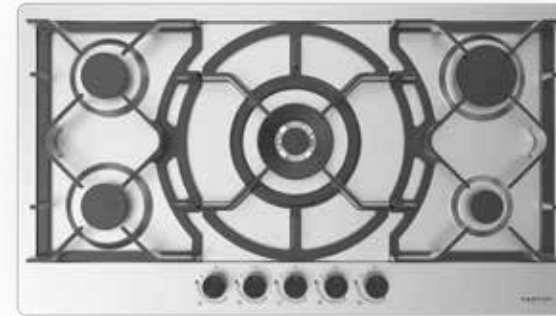
- all printable items should be coordinated & Silk Screen version SER4
- Logo place: Right side down
- Instruction Manual language: English/Arabic
- Origin: Made In Turkiye
- Stryfoam + Carton box packing

HOBS



LINEAR Stainless steel Gas Hob 90CM

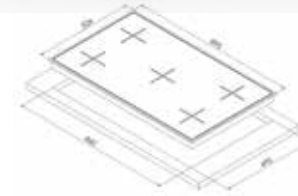
Code : LI HO GS 90 5Z SS



Features

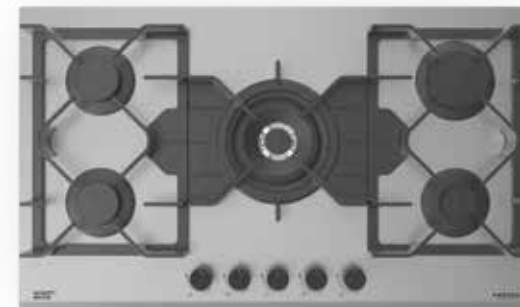
- 92cm Built In Stainless steel Gas Hob bottom cutting size is 86cm
- 304 mm / Grade AISI 0,7 Stainless steel thickness
- Sabaf burners & valves
- kW 1x3,8 :Wok burner
- kW 1x3,00 :Rapid burner
- kW 2x1,75 :Semi rapid burner
- 1x1kW :Auxiliary burner
- (4mm Burner caps thickness) Matte enameled burner caps & (P40) Cast iron pan supports
- LPG Gas adjusted (+ NG converting kit)
- FFD (Flame Failure Device)
- Front control with Matte Black knobs I07
- Under knob automatic ignition
- V 240 - 220 English type cable,Voltage

CUTOUT



Titanium Glass Gas Hob 90CM

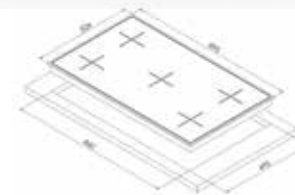
Code : TI HO GS 90 5Z TG



Features

- 90 cm Built In Titanium Glass Gas Hob (bottom cutting size is 86 cm)c
- Tempered Glass / Glass thickness 8 mm
- Sabaf burners & valves
- Wok burner: 1x 3,8 kW
- Rapid burner: 1x3,00 kW
- Semi rapid burner: 2x1,75 kW
- Auxiliary burner: 1x1kW
- Cast iron pan supports (P35) & Matte enameled burner caps (Burner cap thickness 4mm)
- LPG Gas adjusted (+ NG converting kit)
- FFD (Flame Failure Device)
- Front control with Matte Black knobs I07
- Under knob automatic ignition,
- English type cable,Voltage 220 - 240 V

CUTOUT



CLASSIC HOBS

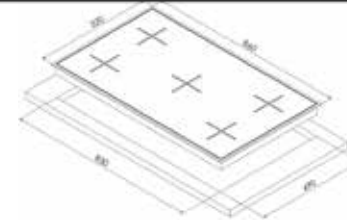


Rustic Classic Gas Hob 90cm

Code:RO HO GS 90 SZ GF



CUTOUT



Standard Features

- 90 cm Rustic built-in hob
- 5 gas burner
- Cast iron pan supports
- Underknob auto ignition
- NG/LPG options
- 1XWOK burner: 3800W
- 1XRapid burner: 3000W
- 2XSemi Rapid burner: 1750W
- 1XAuxiliary burner: 1000W

Optional Features

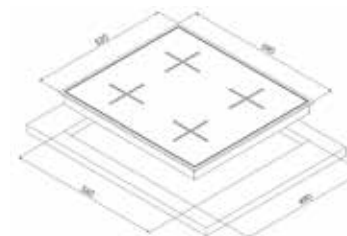
- Flame Failure Device (FFD)
- Italian Sabaf burners
- Ivory, beige enameled top plate

Rustic Classic Gas Hob 60cm

Code:RO HO GS 60 SZ GF



CUTOUT



Standard Features

- 60 cm
- Anthracite Rustic Hob
- 3 Gas + 1 Wok Burner
- Cast Iron Pan Support
- Under Knob Auto Ignition
- Front Control
- NG/LPG Options
- 1 x Wok Burner: 3500 W
- 2 x Semi Rapid Burner: 1750 W
- 1 x Auxiliary Burner: 1000 W

Optional Features

- Italian Sabaf Burners
- Flame Failure Device
- Cast Iron Wok Stand

ELECTRIC HOBS

VITROCERAMIC ELECTRIC HOB 90cm

Code : VC HO EL 90 5Z BG



Features

- 90 cm - Vitroc ceramic Glass
- 5 highlight Zones
- Touch Control
- 9 Power Levels
- Child Lock
- Safety Lock
- Residual Heat Indicators
- Front Control
- Automatic Safety Cut-Out
- Front Right 1200 W
- Front Left 700-1700 W
- Rear Right 1800 W
- Rear Left 1200 W
- Middle Double Oven Cook 1000-1800 W

VITROCERAMIC ELECTRIC HOB 60cm

Code : VC HO EL 60 4Z BG



Features

- 60 cm - Vitroc ceramic Glass
- 4 highlight Zones
- Touch Control
- 9 Power Levels
- Child Lock
- Safety Lock
- Residual Heat Indicators
- Front Control
- Automatic Safety Cut-Out
- 2 x 1200 W
- 1 x 1800 W
- 1 x 1700 W / 700W Dual

VITROCERAMIC ELECTRIC HOB 30cm

Code : VC HO EL 30 2Z BG



Features

- 30 cm - Vitroc ceramic Glass
- 2 highlight Zones
- Touch Control
- 9 Power Levels
- Child Lock
- Safety Lock
- Residual Heat Indicators
- Front Control
- Automatic Safety Cut-Out
- 1 x 1200 W
- 1 x 700-1700 Double Circuit Cook Zone W

FREESTANDING COOKER

LINEAR SEMI PROFESSIONAL COOKER

Code : PL CK GS 90 5Z BS



Standard Features

- 4 Gas Burners + 1 Wok + Gas Oven
- Double Turbo Fan With Circular Heater
- Knob Integrated Electronic Ignition
- Digital Reminder
- Splashback
- Side Wire Rack System
- Sabaf Burner Set
- Cast Iron Pan Supports
- Wok Adaptor
- Telescopic Inox Painted
- 1 Deep Tray, 1 Wire Grid, 1 Trivet Grid
- Colour: Inox

Optional Features

- Removable Triple Glass Oven Door
- Catalytic Side Panels
- Flotal Oven Door Glass

COOLING LINE



BUILT-IN FULL FRIDGE

BI FR NF 60 DC

FULL NO FROST



Total Net Volume	285L
Control Display Type	LED
Auto Defrost	YES
Safety Glass Shelves	4+1
Fan Ventilation	YES
Supply Voltage, V/Hz	60Hz~230/50
Rated Current, A	0.8
Noise Level, dBA	41db
Product Dimension HxWxD mm	1769x540x550mm
Product Weight(kg)	57kg
Cooling System	Frost Free Cooling
Super cooling function	YES



BUILT-IN COMBI REFRIGERATOR

BI CF NF 60 DC

FULL NO FROST



Built-In COMBI REFRIGERATOR
550mm combi. 30 / 70 split, total no frost, digital controller wine rack*540*1769 sliding hinge

• Total Net Volume	241L
• Fridge Net Volume	177L
• Freezer Net Volume	64L
• Control Display Type	LED
• Auto Defrost	YES
• Safety Glass Shelves	4
• Fan Ventilation	YES
• Supply Voltage, V/Hz	60Hz~230/50
• Rated Current, A	0.8
• Noise Level, dBA	41db
• Product Dimension HxWxD mm	1769x540x550mm
• Product Weight(kg)	63kg
• Cooling System	Frost Free Cooling



BUILT-IN FULL FREEZER

BI FZ NF 60 DC

FULL NO FROST



Total Net Volume	200L
Control Display Type	LED
Auto Defrost	YES
Safety Glass Shelves	4
Fan Ventilation	YES
Supply Voltage, V/Hz	60Hz~230/50
Rated Current, A	0.8
Noise Level, dBA	41db
Product Dimension HxWxD mm	1769x540x550mm
Product Weight(kg)	65kg
Cooling System	Frost Free Cooling



REFRIGERATOR 75 COMBI

BI CF NF 75 DC

FULL NO FROST



• Total Net Volume	341L
• Fridge Net Volume	257L
• Freezer Net Volume	84L
• Control Display Type	LED
• Auto Defrost	YES
• Safety Glass Shelves	4
• Crispers	2
• Fan Ventilation	YES
• Supply Voltage, V/Hz	60Hz~230/50
• Rated Current, A	0.8
• Noise Level, dBA	41db
• Product Dimension HxWxD mm	1930x690x550mm
• Product Weight(kg)	83kg
• Cooling System	Frost Free Cooling



Built-In Under Fridge

BI UR DF 60 AC

- Total Net Volume 135L
- Control Display Type LED
- frostless YES
- Safety Glass Shelves 4+1
- Fan Ventilation YES
- Supply Voltage, V/Hz 60Hz~230/50
- Rated Current, A 0.8
- Noise Level, dBA 40db
- Product Dimension HxWxD mm 820x596x550mm
- Product Weight(kg) 57kg
- Cooling System Frost Free Cooling
- Super cooling function YES



REFRIGERATOR 90 COMBI

BI CF NF 90 DC



A⁺⁺

FULL NO FROST

- Total Net Volume 558L
- Fridge Net Volume 402L
- Freezer Net Volume 156L
- Control Display Type LED
- Auto Defrost YES
- Safety Glass Shelves 4
- Crispers 2
- Fan Ventilation YES
- Supply Voltage, V/Hz 60Hz~230/50
- Rated Current, A 0.8
- Noise Level, dBA 40db
- Product Dimension HxWxD mm 2120x910x590mm
- Cooling System Frost Free Cooling



Premier
Electronic
Control

Total
No-frost

Water
dispenser

Ice
marker

Built-In Under Freezer

BI UZ DF 60 AC

- Total Net Volume 95L
- Control Display Type LED
- frostless YES
- Safety Glass Shelves 4+1
- Fan Ventilation YES
- Supply Voltage, V/Hz 60Hz~230/50
- Rated Current, A 0.8
- Noise Level, dBA 40db
- Product Dimension HxWxD mm 820x596x550mm
- Product Weight(kg) 57kg
- Cooling System Frost Free Cooling
- Super cooling function YES



DISH WASHER



Built in Under Counter Dish Washer

BI DW 60 6P 13 49

Control Display Type	LED
Place	+13
Energy Class	+A
Programs	6
Supply Voltage, V/Hz	220-240v/50hz
Noise Level, dBA	55db
Product Dimension HxWxD mm	870x598x570
Basket	3



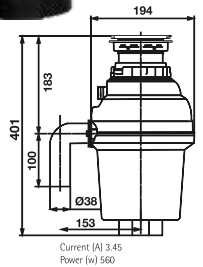
FOOD WASTE DISPOSER



HEAVY DUTY 3/4 HP FOOD WASTE DISPOSER
Hopper Capacity :1070 ml



- Permanent Magnet DC Motor and Low Noise
- High-speed dynamic balanced armature
- R.P.M. Motor 2500
- Multi-functional stopper
- Corrosion proof grinding components
- Stainless Steel wear-resistant
- High strength plastic structure



WINE COOLER



Wine cooler 60cm

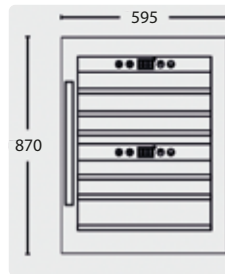
Code: WC-2075-60



XDP005180XX

6907AED

- 20 wines + 75 cans
- Cross Volume 140 L
- Dual zone service wine cellar
- 5 wooden shelf + 4pcs wire shelf
- Compressor with fan cooling
- LED Light Blue
- Anti UV and glass light brown glass
- Adjustable temperature 5 - 12 °C /
- 16 - 38 °C
- 220-240v/50HZ
- W 595 x D 621 x H 870 mm



Wine cooler 40cm

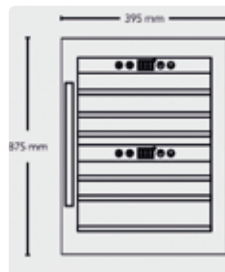
Code: WC-24-40



XDP003330XX

4440AED

- 24 bottles
- Cross Volume 80 L
- Dual zone service wine cellar
- 6 wooden shelf
- Compressor with fan cooling
- LED Light Blue
- Anti UV and glass light brown glass
- Adjustable temperature 5 - 12 °C /
- 12 - 20 °C
- 220-240v/50HZ
- W 395 x D 545 x H 875 mm





HOODS



5501X-90

Inox



5501X-60

Inox



SD54 - 90

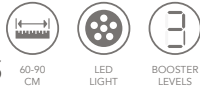
Inox



LD35-90

Inox

MAIN FEATURES

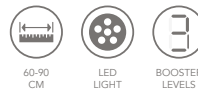


- 90 cm Free Standing Cooker Hood
- 1 motor-280m³/h
- Push Button Control
- 3 Speed
- 1x5 Watt LED Lamp
- Lamp Cover

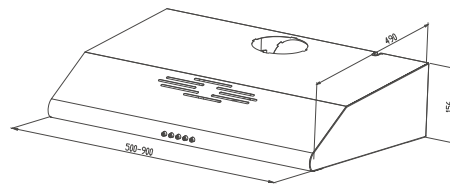
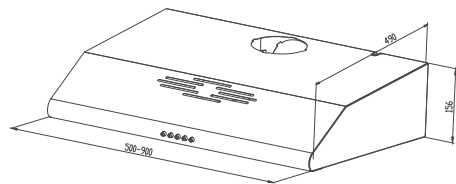
COLOR OPTIONS



MAIN FEATURES



- 60 cm Free Standing Cooker Hood
- 1 motor-280m³/h
- Push Button Control
- 3 Speed
- 1x5 Watt LED Lamp
- Lamp Cover

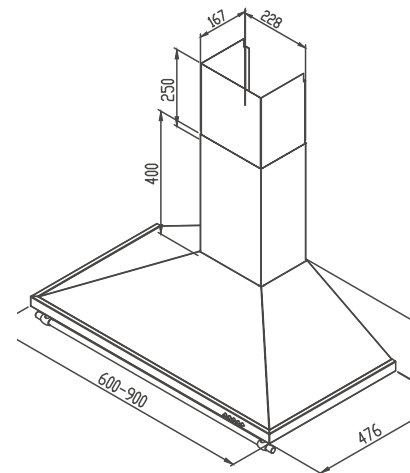


> MAIN FEATURES



- 90 cm Wall-type Chimney Hood
- Push Button Control
- 3 Speed
- 1x5 Watt LED Lamp
- Aluminum Filter
- 120 mm Air Outlet
- Double Chimney
- Noise Level: min 47dB-max 61dB
- Free Flow Extraction Power: 620 m³/h-140 Watt
- Package Dimensions (WxDxH): 62x30x54

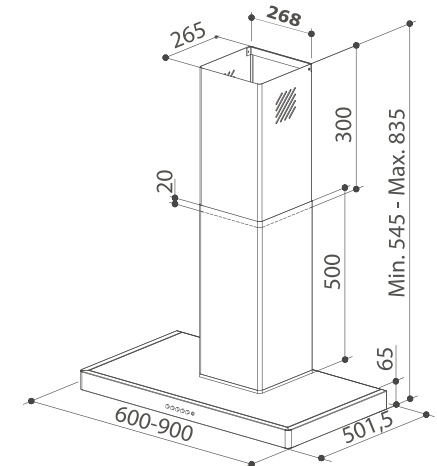
> COLOR OPTIONS



> MAIN FEATURES

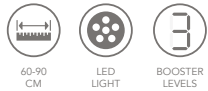


- 90 cm Wall-type Chimney Hood
- Push Button Control
- 3 Speed
- 1x5 Watt LED Lamps
- Aluminum Filter
- 150 mm Air Outlet
- Double Chimney
- Noise Level: min 47dB-max 61dB
- Free Flow Extraction Power: 850 m³/h-Motor 200 Watt
- Package Dimensions (WxDxH): 65x32x55



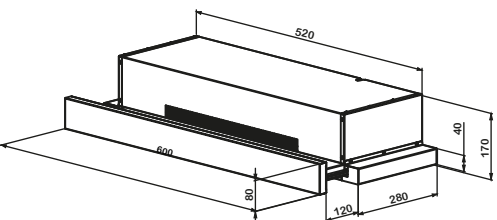


Move Black 60cm

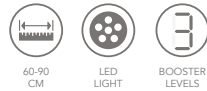


> MAIN FEATURES

- 60 cm Wall-type Chimney Hood
- Touch Control
- 3 Speed
- 2x1 Watt Mini LED Spots
- Stainless Steel Professional Buffer Filter Type
- 150 mm Air Outlet
- Double Chimney
- Noise Level: min 57dB-max 67dB
- Free Flow Extraction Power: 1000 m³/h- Motor200Watt

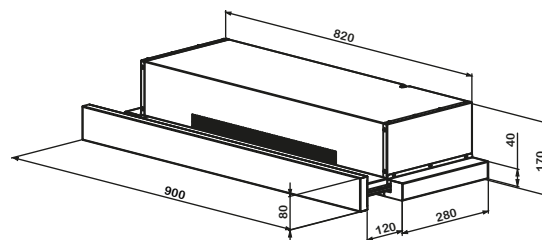


Move Black 90cm

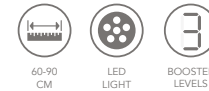


> MAIN FEATURES

- 90 cm Wall-type Chimney Hood
- Touch Control
- 3 Speed
- 2x1 Watt Mini LED Spots
- Stainless Steel Professional Buffer Filter Type
- 150 mm Air Outlet
- Double Chimney
- Noise Level: min 57dB-max 67dB
- Free Flow Extraction Power: 1000 m³/h- Motor200Watt

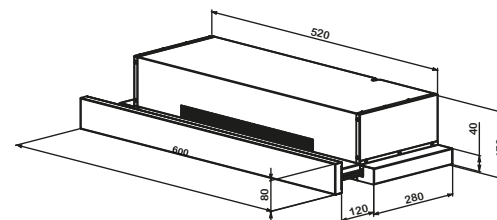


Move Steel 60cm

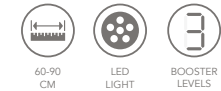


> MAIN FEATURES

- 60 cm Wall-type Chimney Hood
- Touch Control
- 3 Speed
- 2x1 Watt Mini LED Spots
- Stainless Steel Professional Buffer Filter Type
- 150 mm Air Outlet
- Double Chimney
- Noise Level: min 57dB-max 67dB
- Free Flow Extraction Power: 1000 m³/h- Motor200Watt

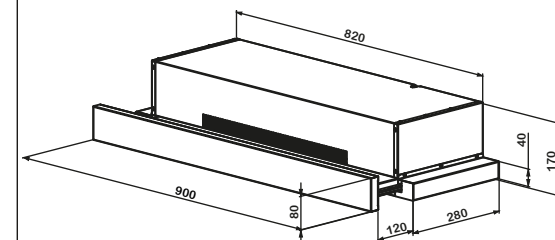


Move Steel 90cm



> MAIN FEATURES

- 90 cm Wall-type Chimney Hood
- Touch Control
- 3 Speed
- 2x1 Watt Mini LED Spots
- Stainless Steel Professional Buffer Filter Type
- 150 mm Air Outlet
- Double Chimney
- Noise Level: min 57dB-max 67dB
- Free Flow Extraction Power: 1000 m³/h- Motor





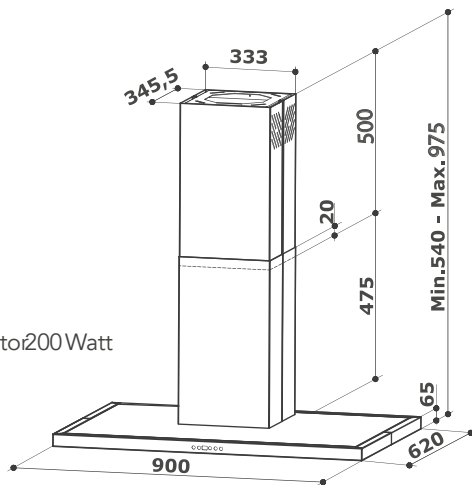
LDI36GL-90-PRO

Island/Inox+Black

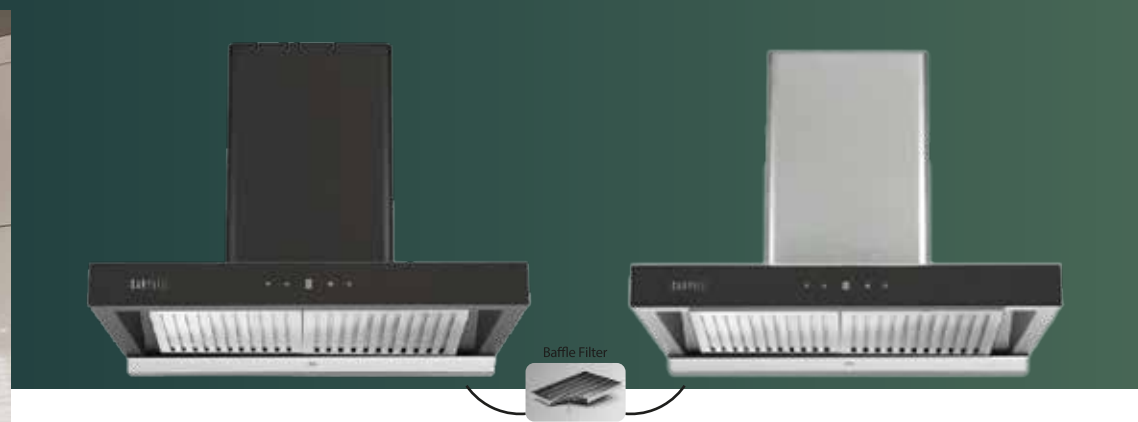


> MAIN FEATURES

- 90 cm Island-type Inclined Hood
- Double Side Electronic Control
- 3 Speed
- 2x2 Watt LED Spots
- Aluminum Filter
- 150 mm Air Outlet
- Double Chimney
- Filter Saturation Indicator
- Auto Shut Down Timer
- Noise Level: min 57dB-max67dB
- Free Flow Extraction Power: 1000m³/h Moto200Watt
- Package Dimensions (WxDxH): 98x71x62



Baffle Filter



MINT-90-B-PRO

MINT-90-X-PRO

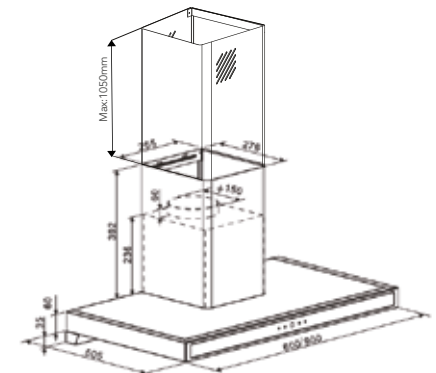
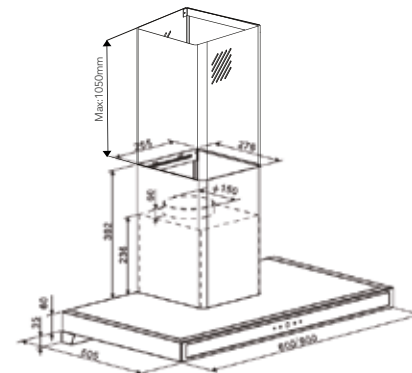
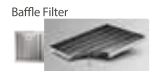
> MAIN FEATURES

- TYPE OF APPLIANCE : Wall mounted chimney
- FINISH : Black body + Black tempered glass
- AIR FLOW: 1450m³/h
- SPEED : 3
- LAMP TYPE : LED2-x2 W
- FILTER TYPE : Baffle / optional Charcoal AIR
- OUTLET 50mm outlet with 2m pipe
- CONTROL : Motion Touch Control OPERATING MODE: External /circulation
- COMFORT : Oil Collector Heat clean



> MAIN FEATURES

- TYPE OF APPLIANCE : Wall mounted chimney
- FINISH : Black body + Black tempered glass
- AIR FLOW: 1450m³ /h
- SPEED : 3
- LAMP TYPE : LED2- x 2 W
- FILTER TYPE : Baffle / optional Charcoal AIR
- OUTLET 50mm outlet with 2m pipe
- CONTROL : Motion Touch Control OPERATING MODE: External /circulation
- COMFORT : Oil Collector Heat clean



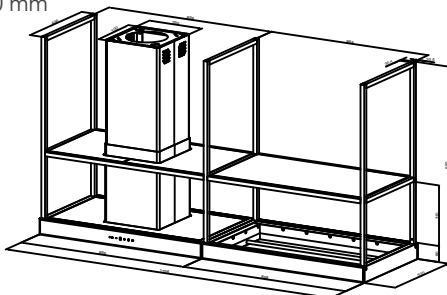


Frame

Frame-180-B-IS

> MAIN FEATURES

- 90 cm ISLAND type cooker hood + 90 cm special construction with Fume glass on middle side
- Anthracite (black grey) painted body and chimney
- Black tempered glass control panel / Control panel height 8 mm
- Touch control on 2 sides /White Lighting
- 5 speeds 1200 m³/h local motor (280 W) / With Metal motor cabin
- 2x Flush led stick / White lighting 2x6W • Washable Anthracite painted Aluminum filter with 4 layer x3
- Timer
- Saturation filter alarm
- Double Oval chimney 2x 600+600 mm
- Air outlet size Ø 150/Ø 120 mm
- Sound level 48 dB
- UK Plug Type
- Voltage : 220-240 V AC/50-60 Hz



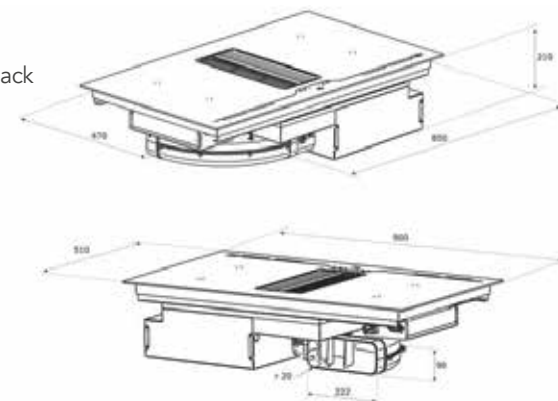
WIDTH 1796 mm DEPTH 520mm HEIGHT 980 mm



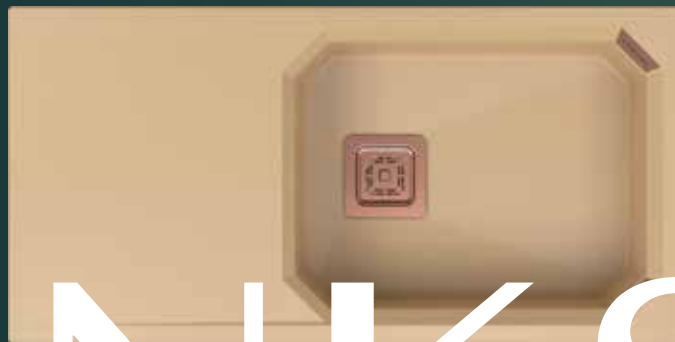
ONBOARD FLEX

> MAIN FEATURES

- Max air flow: 639 m³/h
- Control:Touch control 6 speeds (5+1 intensive)
- Noise Level: 49/66/70 dB(A)
- Filters:Washable grease filters. Charcoal filters for recirculation mode (optional).
- Hobs:4
- Hobs dimensions:180x220
- Timer
- Power:4 x 2,1kW (booster 3,7kW)
Max power 7,4kW
- Booster:3 Kw
- Size:90x51 cm
- Finishing:Glass-ceramic black



SINKS





CRYSTAL



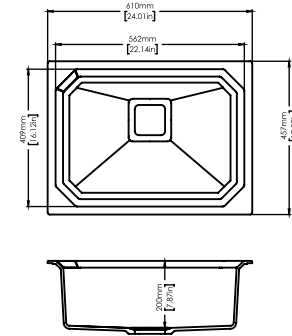
SAND 3618



CHARCOAL 3618



SNOW 3618



* Size : 24" x 18" x 8"

Installation Options

Line Drawing

Sink: 914 mm x 457 mm
Bowl: 480 mm x 365 mm x 200 mm

INSTALLATION



Top Mount



Flush Mount



Under Mount

RETRO

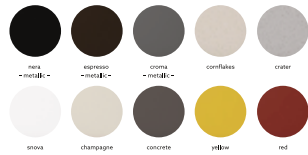


WALTZ WORKSTATION



RETRO A100

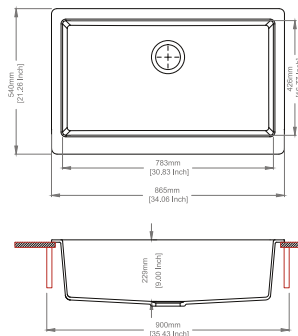
Colours



Dimensions

Sink: 865 mm × 540 mm
 Bowl: 783 mm × 426 mm × 229 mm

Installation



WALTZ 780 NERA



WALTZ 780 METALLIC



WALTZ 780 SN OVA



ACCESSORIES FOR WALTZ 780 WORKSTATION SINK IN ROSE GOLD & BLACK



QUARTZ



WALTZ

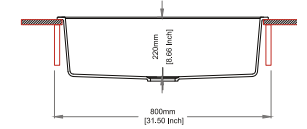
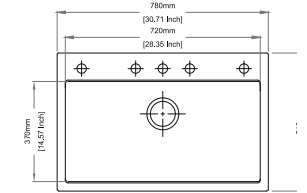
WALTZ 780

Quartz sink with single bowl



Dimensions

Sink: 780 mm x 510 mm
Bowls: 720 mm x 370 mm x 220 mm



Installation



colors



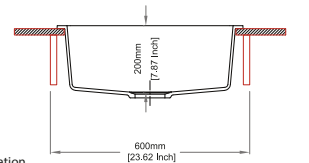
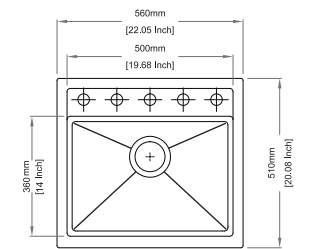
WALTZ 560

Quartz sink with single bowl

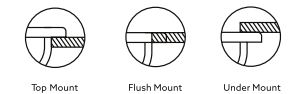


Dimensions

Sink: 560 mm x 510 mm
Bowls: 500 mm x 360 mm x 200 mm



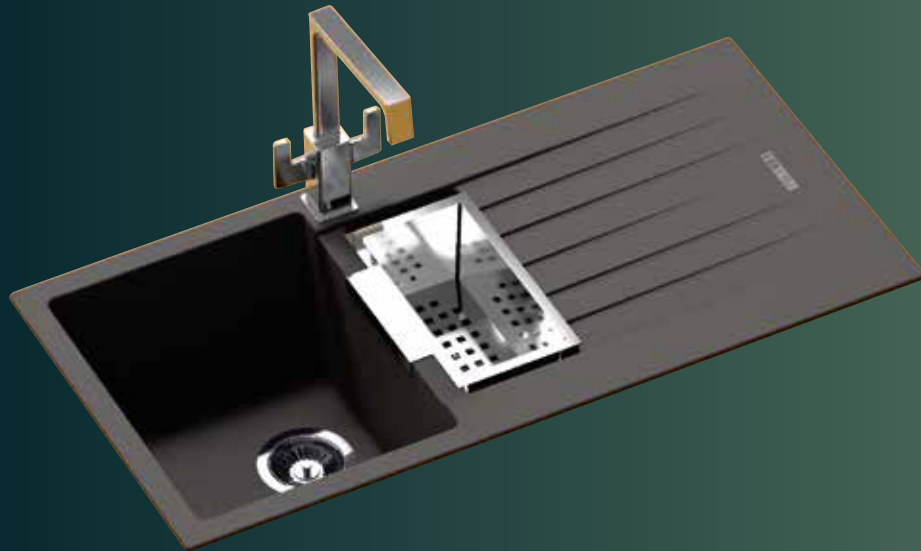
Installation



colors



QUARTZ



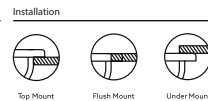
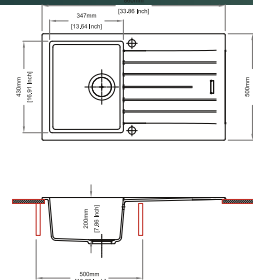
TIP TOE SERIES

TIP TOE D100

Quartz sink with single bowl+ drainer



Dimensions
Sink: 860 mm x 500 mm
Bowl: 347 mm x 430 mm x 200 mm

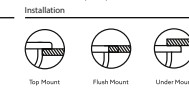
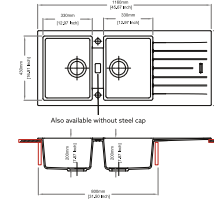


TIP TOE D200

Quartz sink with double bowls + drainer



Dimensions
Sink: 1000 mm x 500 mm
Bowls: 480 mm x 430 mm x 200 mm

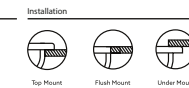
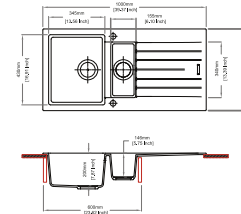


TIP TOE D150

Quartz sink with single and half bowl + drainer



Dimensions
Sink: 1000 mm x 500 mm
Bowls: 345 mm x 430 mm x 200 mm
Half bowl: 155 mm x 340 mm x 146 mm

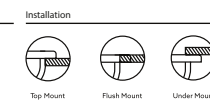
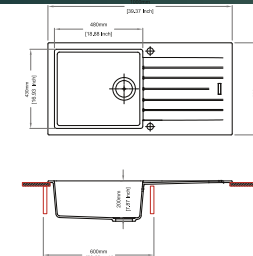


TIP TOE D100L

Quartz sink with large single bowl + long drainer



Dimensions
Sink: 1160 mm x 500 mm
Bowl: 330 mm x 430 mm x 200 mm



LARGO

Installation



Top Mount



Flush Mount



Under Mount



ROCK



LARGO 3620

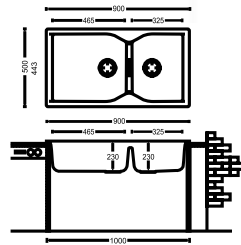
Quartz sink with double bowls



XDP00775XX



1035AED



Dimensions

Sink: 900 mm x 500 mm
Left Bowl: 465 mm x 443 mm x 230 mm
Right Bowl: 325 mm x 443 mm x 230 mm

ROCK

colors



XDP00360XX

480AED



Sink: Ø 460mm
Bowl: Ø 394mm, depth: 190 mm

LARGO 4520

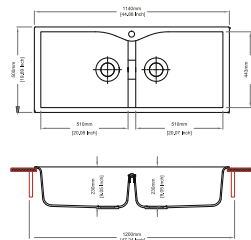
Quartz sink with double bowls



XDP00850XX



1133AED



Dimensions

Sink: 1140 mm x 500 mm
Left Bowl: 465 mm x 443 mm x 230 mm
Right Bowl: 510 mm x 443 mm x 230 mm

QUARTZ

Installation



Top Mount



Flush Mount



Under Mount



ENGIMA

ENIGMA N200 S

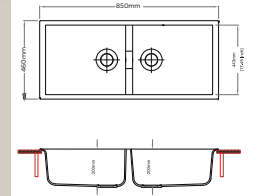
Quartz sink with double bowls

colors



Dimensions

Sink: 850 mm x 460 mm
Bowl: 380 mm x 400 mm x 200 mm



ENIGMA N 100 L

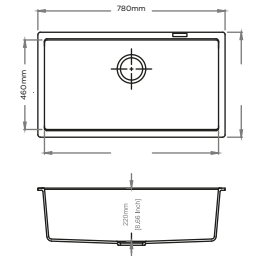
Quartz sink with single bowl

colors



Dimensions

Sink: 780 mm x 460 mm
Bowl: 720 mm x 400 mm x 220 mm



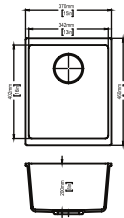
ENIGMA N 100 N

nano

Quartz sink with single bowl



colors



Dimensions

Sink: 370 mm x 460 mm
Bowl: 340 mm x 400 mm x 200 mm

Installation



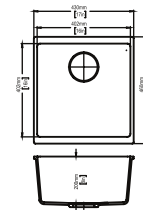
ENIGMA N 100 M

maga

Quartz sink with single bowl



colors



Dimensions

Sink: 430 mm x 460 mm
Bowl: 400 mm x 400 mm x 200 mm

Installation



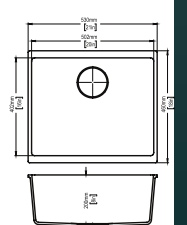
ENIGMA N 100 S

small

Quartz sink with single bowl



colors



Dimensions

Sink: 530 mm x 460 mm
Bowl: 500 mm x 400 mm x 200 mm

Installation



STAINLESS STEEL

Installation



Top Mount



Flush Mount



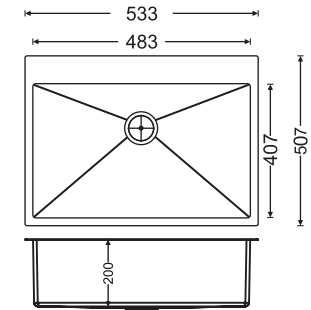
Under Mount



WALTZ

WZS 610 56

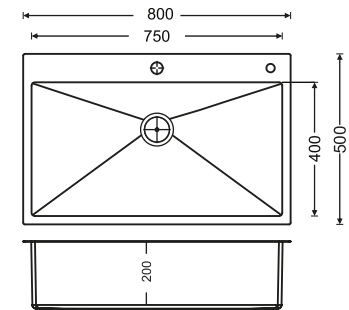
Waltz56



Dimension:
Sink: 533 mm x 507 mm
Bowls: 483 mm x 407 mm x 200 mm

WZS 610 78

Waltz78

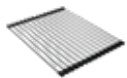


Dimensions:
Sink: 800 mm x 500 mm
Bowls: 750 mm x 400 mm x 200 mm

Waltz Accessoers



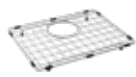
COLANDER



FOLD MATT



FLEXIBLE BASKET



BOTTOM MESH



CHOPPING BOARD



SOAP DISPENSER

STAINLESS STEEL

Installation



Top Mount

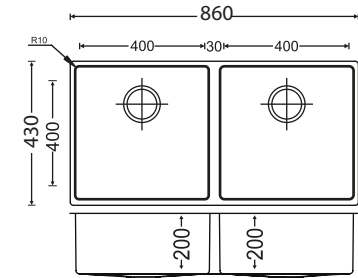
Flush Mount

Under Mount



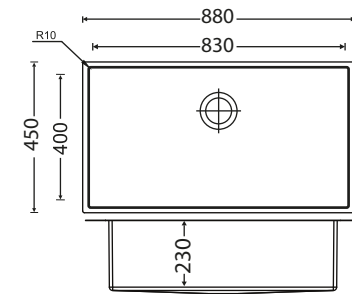
MICRO RADIUS

MQS220 86/83



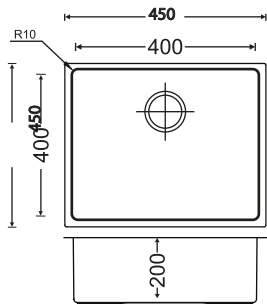
Dimensions:
Sink: 860 mm x 430 mm
Bowls: 400 mm x 400 mm x 200 mm

MQS 210 88/83



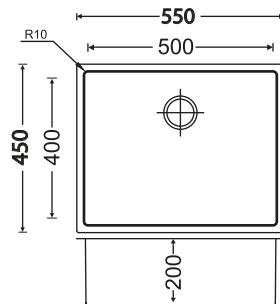
Dimensions:
Sink: 880 mm x 450 mm
Bowls: 830 mm x 400 mm x 230 mm

MQS210 45/40



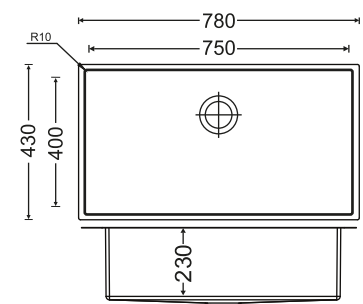
Dimensions:
Sink: 450 mm x 450 mm
Bowls: 400 mm x 400 mm x 200 mm

MQS210 55/50

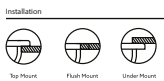


Dimensions:
Sink: 550 mm x 450 mm
Bowls: 500 mm x 400 mm x 200 mm

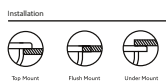
MQS210 78/75



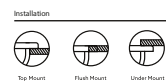
Dimensions:
Sink: 780 mm x 430 mm
Bowls: 750 mm x 400 mm x 230 mm



Top Mount Flush Mount Under Mount



Top Mount Flush Mount Under Mount



Top Mount Flush Mount Under Mount

FARMHOUSE SINK



GERMAN DESIGN

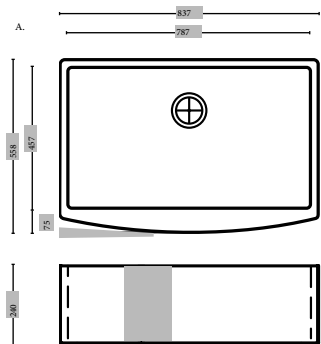


FHS 711 80

FARME HOUSE SINK



DIMENSIONS (mm)



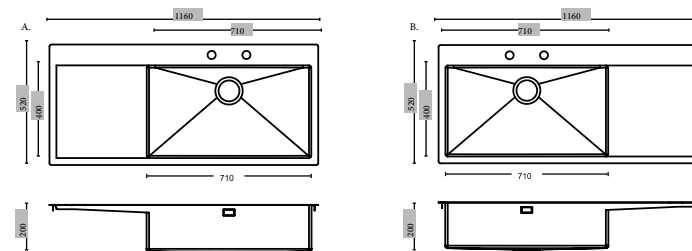
GDS 611 116

GERMAN DESIGN



- RH & LH
A. D 100 XL LH B. D 100 XL RH

DIMENSIONS (mm)



MIXER



Polo

Polo Pro PULL OUT MIXER



SNOVA



NERA



CHAMPAGNE



STAINLESS
STEEL

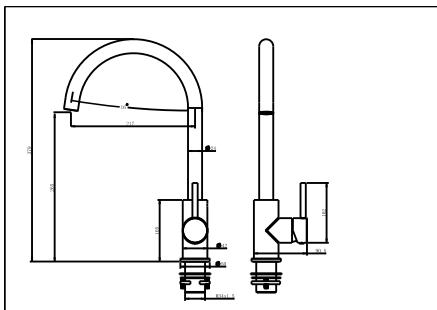


MATT
BLACK



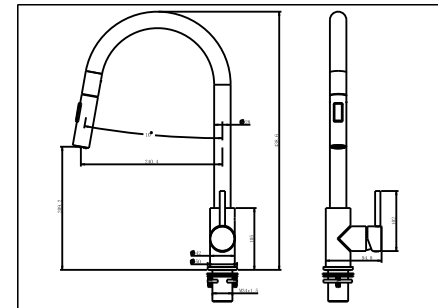
MATT
BLACK

Dimensions



CARYSIL
POLO Single lever kitchen mixer
swivel spout,aerator 6
l',flex hoses 55cm 1/2"F,ceramic
cartridge 0-90° Carysil

Dimensions



CARYSIL
POLO_PRO Single lever
kitchen mixer with pull down
hand shower,aerator 6 l',flex
hoses 55cm 1/2"F,ceramic
cartridge 0-90° Carysil
304

Perla

Perla Pro

PULL OUT MIXER



STAINLESS STEEL



MATT BLACK

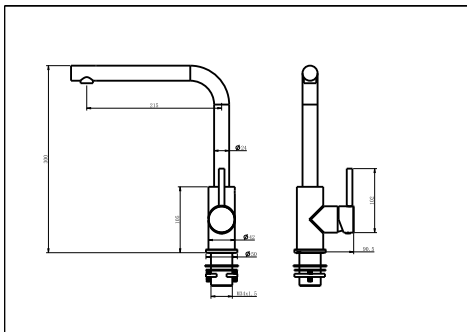


MATT BLACK

CHAMPAGNE

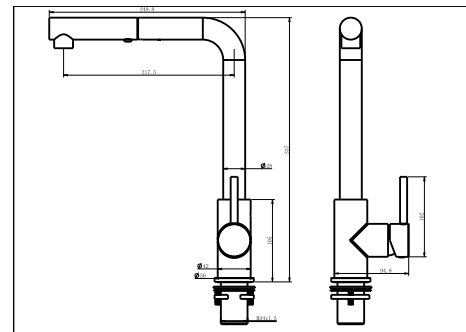
STAINLESS STEEL

Dimensions



CARYSIL PERLA Single lever kitchen mixer swivel spout aerator 6L, flex hoses 55cm 1/2" F, ceramic cartridge 0-90° Carysil 304

Dimensions



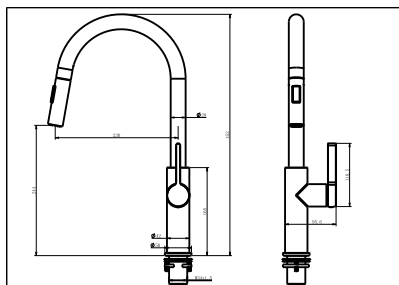
CARYSIL PERLA_PRO Single lever kitchen mixer with pull out hand shower, aerator 6 l, flex hoses 55cm 1/2" F, ceramic cartridge 0-90° Carysil

Berlin Pro

PULL OUT MIXER



Dimensions

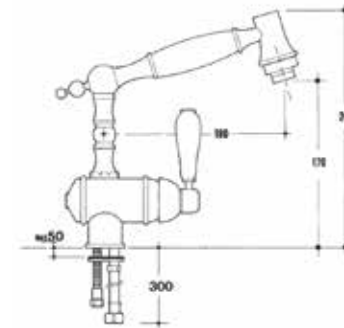


CARYSIL BERLIN_PRO Single lever kitchen mixer with pull down hand shower ,aerator 6 l',flex hoses 55cm 1/2''F,ceramic cartridge 0-90° Carysil SNOVA

Classic

LONDON

One-lever sink mixer with shower



XDP001490XX



1987AED

Our Website



Our Offices



Carysil UAE

Al Asmawi Building, Showroom no 207, Sheikh Zayed,
Dubai - U.A.E.

Tel: +971 (4) 258 1655

Tel: +971 (2) 667 3373



Carysil Products Ltd

Crossley Stud Farm, Buxton Road, Congleton,
Cheshire, United Kingdom, CW12 2PN

Carysil Surfaces Ltd, Unit A Azalea Close,
Somercotes, Alfreton, Derbyshire, DE554QX



Carysil Display Gallery

Atria Mall, Shop No. 43, Dr. A.B. Road, Worli,
Mumbai - 400 018.



Carysil Limited

Navagam, Vartej 364 060, Bhavnagar,
(Gujarat) India